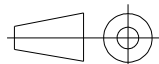
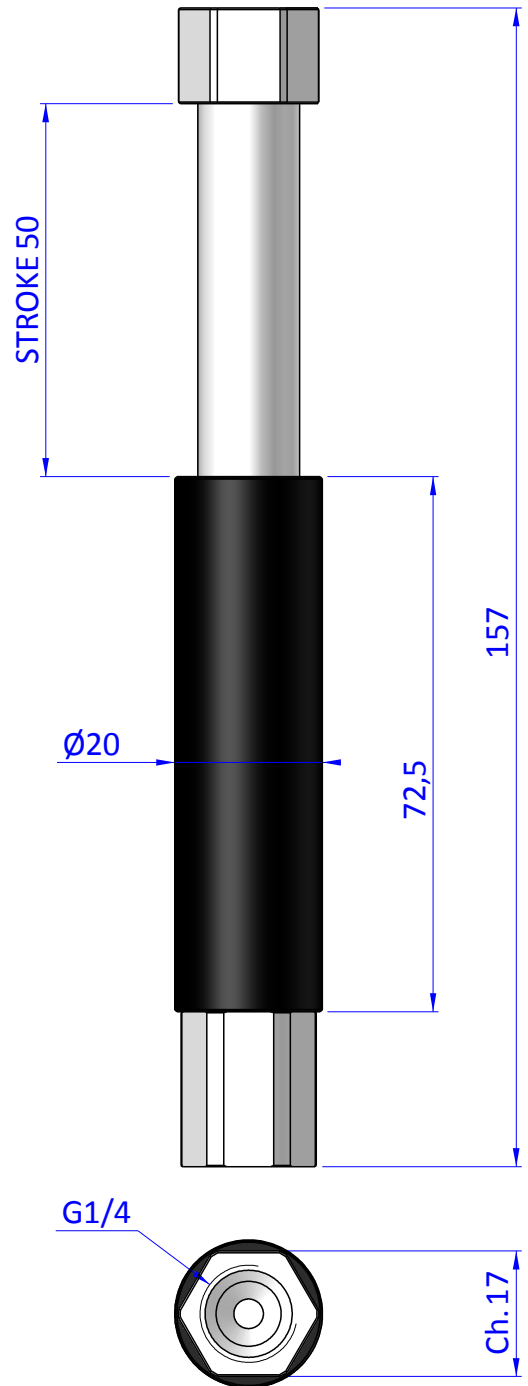
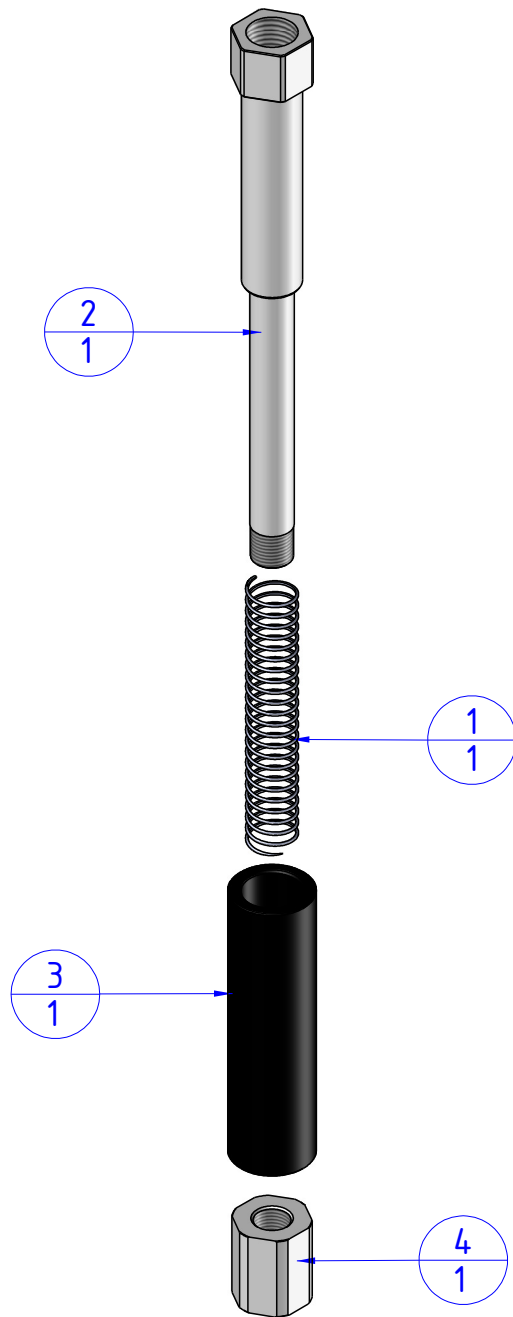
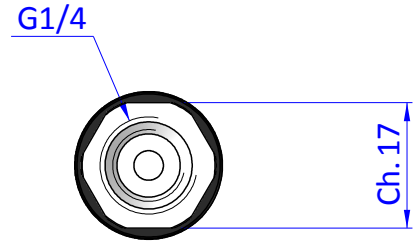


THE PROPERTY OF THE DRAWING IS ESTABLISHED BY LAW. IT IS FORBIDDEN TO PRODUCE OR SHOW IT TO THIRD PART. WITHOUT A WRITTEN AGREEMENT.

Item	Name	Q.ty
1	M.12X81.5	1
2	SDR.2050.01.14	1
3	SDR.2050.02	1
4	VSN.20.1.14	1



Format A4  
UNI 936-76

GENERAL TOLERANCE  
UNI - ISO 2768  
CLASSE f

DESCRIPTION  
CA.SDR.2050.14

DESIGNED FROM <b>FP SERVICES</b>		REVIEW <b>A</b>
DATE 11/02/2019	WEIGHT 0,076kg	
CODE <b>CA.SDR.2050.14</b>		